



LW4669



knitting

Designed by Jodi Lewanda

### What you will need:

**RED HEART® Super Saver®:** 2 (2, 2, 2, 3) skeins 886 Blue **A**, 1 skein each 324 Bright Yellow **B** and 718 Shocking Pink **C**

**Susan Bates® Circular Knitting Needles:** 5mm [US 8] 24" long

**Susan Bates® Cable Needle:** 5mm [US 8]

2 (3, 3, 3, 3) - 3/4" [19 mm] buttons to match **B**, stitch holders, stitch markers, yarn needle

**GAUGE:** 18 sts = 4" [10 cm]; 24 rows = 4" [10 cm] in Stockinette St (knit on Right Side, purl on Wrong Side). **CHECK YOUR GAUGE.** Use any size needle to obtain the gauge.

### Buy Yarn



**RED HEART® Super Saver®:** Art. E300 available in solid color

7 oz (198 g), 364 yd (333 m); multicolor, fleck and print 5 oz (141 g), 236 yd (215 m) skeins



## Girl's Cabled Dress

*Knit a bright and colorful dress that features a classic cable down the front. Contrast ribbings finish off the neckline and cuffs with a splash of fun colors.*

**Directions are for size 2. Change for sizes (4, 6, 8 and 10) are in parentheses.**

### Finished Measurements:

**Chest:** 21½ (24, 26, 27½, 29½)" 54.5 [61, 66, 70, 75 cm]

**Length:** 21½ (23, 23¾, 25¼, 26¼)" 54.5 [58.5, 60.5, 64, 67 cm].

### SPECIAL STITCHES

**C4B:** Place next 2 sts on cable needle and hold in BACK, k2, k2 from cable needle.

**C4F:** Place next 2 sts on cable needle and hold in FRONT, k2, k2 from cable needle.

**C6F:** Place next 3 sts on cable needle and hold in FRONT, k3, k3 from cable needle.

**C6B:** Place next 3 sts on cable needle and hold in BACK, k3, k3 from cable needle.

### 1x1 Rib (over odd number of sts)

**Row 1 (Right Side):** \*K1, p1; repeat from \* to last st, k1.

**Row 2:** \*P1, k1; repeat from \* to last st, p1. Repeat Rows 1 and 2 for 1x1 Rib (over an odd number of sts).

### 1x1 Rib (over even number of sts)

**Row 1 (Right Side):** \*K1, p1; repeat from \* to end of row.

Repeat Row 1 for 1x1 Rib (over an even number of sts).

### Cable 1 (over 8 sts)

**Row 1 (Right Side):** P2, k4, p2.

**Row 2:** K2, p4, k2.

**Row 3:** P2, C4B, p2.

**Row 4:** Repeat Row 2.

Repeat Rows 1-4 for Cable 1 pattern.

### Cable 2 (over 15 sts)

**Row 1 (Right Side):** Knit.

**Row 2 and all Wrong Side rows:** Purl.

**Row 3:** K3, [C6F] twice.

**Row 5:** Knit.

**Row 7:** [C6B] twice, k3.

**Row 8:** Purl.

Repeat Rows 1-8 for Cable 2 pattern.

### Cable 3 (over 8 sts)

**Row 1 (Right Side):** P2, k4, p2.

**Row 2:** K2, p4, k2.

**Row 3:** P2, C4F, p2.

**Row 4:** Repeat Row 2.

Repeat Rows 1-4 for Cable 3 pattern.

**K2TOG** = Knit 2 sts together.

**PSSO** = Pass slipped st over.

**SSK** = Slip, slip knit.

**M1L** = Make 1 Left. To make a left-leaning make one, insert the left-hand needle, from front to back, under the strand of yarn which runs between the stitch just worked and the next stitch on the left-hand needle. Knit this stitch through the back loop.

**M1R** = Make 1 Right. To make a right-leaning make one, insert the left-hand needle, from back to front, under the strand of yarn which runs between the stitch just worked and the next stitch on the left-hand needle. Knit this stitch through the front loop.

**PM** = Place marker.

**YO** = Yarn over.

Continued...



2015  
WOMEN'S CHOICE AWARD®  
AMERICA'S MOST RECOMMENDED  
YARN BRAND



**Please Note:** Print this pattern using Landscape Orientation.

Find more ideas & inspiration: [redheart.com](http://redheart.com)

©2015 Coats & Clark

**RedHeart.com**

Page 1 of 3

## DRESS

### Back

Using circular needles and **A**, cast on 73 (83, 89, 95, 101) sts.

**Next Rows:** Work 1x1 Rib for 4 (6, 6, 6, 8) rows, decreasing 1 (3, 3, 5, 5) st(s) evenly across last row—72 (80, 86, 90, 96) sts. Change to Stockinette st and work 2 (4, 4, 6, 6) rows, ending with a Wrong Side row.

**Decrease Row (Right Side):** K1, ssk, knit to last 3 sts, k2tog, k1—70 (78, 84, 88, 94) sts. Repeat decrease row every 8 rows, 7 (8, 9, 11, 11) more times and then every 6 rows 2 (2, 2, 0, 1) time(s)—52 (58, 62, 66, 70) sts. Work even until piece measures 16¼ (17, 17½, 18½, 19)'' 41.5 [43, 44.5, 47, 48.5 cm].

### Shape Armholes

Bind off 2 (3, 3, 4, 5) sts at the beginning of the next 2 rows—48 (52, 56, 58, 60) sts. Decrease 1 st at each end of every Right Side row 2 (2, 2, 3, 3) times—44 (48, 52, 52, 54) sts.

Continue even until armholes measure 4¼ (5, 5¼, 5¾, 5¾)'' 11 [12.5, 13.5, 14.5, 14.5 cm], ending after a Wrong Side row.

### Shape Back Neck and Shoulders

**Next Row (Right Side):** K10 (11, 13, 13, 14) sts for right shoulder, place remaining sts on holder.

**Next Row:** Purl 1 row.

**Next Row:** Knit until 3 sts remain, k2tog, k1—9 (10, 12, 12, 13) sts.

Repeat last 2 rows 1 (1, 2, 2, 3) time(s)—8 (9, 10, 10, 10) sts.

Bind off remaining sts.

Keeping next (center) 24 (26, 26, 26) sts on holder, with Right Side facing, rejoin **A** and knit across last 10 (11, 13, 13, 14) sts for left shoulder.

**Next Row:** Purl 1 row.

**Next Row:** K1, ssk, knit to end—9 (10, 12, 12, 13) sts.

**Next Row:** Purl 1 row.

Repeat last 2 rows 1 (1, 2, 2, 3) time(s), ending with a Wrong Side row—8 (9, 10, 10, 10) sts.

### Button Band

Cut **A** and join **B**.

Work 4 (6, 6, 6, 8) rows in St st. Bind off remaining sts.

### Front

With **A**, cast on 73 (83, 89, 95, 101) sts. Work 1x1 Rib for 4 (6, 6, 6, 8) rows, decreasing 0 (2, 2, 4, 4) sts evenly across last row—73 (81, 87, 91, 97) sts.

### Set up Cables

**Next Row (Right Side):** K21 (25, 28, 30, 33), pm, work Row 1 of Cable 1 over 8 sts, pm, work Row 1 of Cable 2 over 15 sts, pm, work Row 1 of Cable 3 over 8 sts, pm, **K** 21 (25, 28, 30, 33).

Work cables and St st as established, slipping markers as you come to them, AND AT THE SAME TIME, decrease at sides same as back—53 (59, 63, 67, 71) sts.

Work even until piece measures 16¼ (17, 17½, 18½, 19)'' 41.5 [43, 44.5, 47, 48.5 cm].

### Shape Armholes

Continuing to work cables and St st, work armhole shaping same as Back—45 (49, 53, 53, 55) sts.

### Shape Neck

When armholes measure 1½ (2, 2, 2½, 3)'' 4 [5, 5, 6.5, 7.5 cm], ending with a Wrong Side row, start neck shaping.

**Next Row (Right Side):** Continuing in pattern as established, work 15 (17, 18, 18, 19) sts for left shoulder, place remaining sts on holder.

**Next Row:** Work 1 Wrong Side row.

**Next Row:** Work in pattern, decrease 1 st at end of row (neck edge)—14 (16, 17, 17, 18) sts.

**Next Row:** Work 1 Wrong Side row.

Repeat last 2 rows 6 (7, 7, 7, 8) times—8 (9, 10, 10, 10) sts.

### Buttonhole Band

Cut **A** and join **B**.

**Next Row:** Knit 1 row.

Starting with a Wrong side row, work 1x1 Rib for 2 (2, 2, 2, 4) rows.

### Size 2 ONLY

**Next (Buttonhole) Row (Wrong Side):**

Work 3 sts in rib, yo, K2tog; rib to end.

Sizes 4, 6, 8 and 10 ONLY

**Next (Buttonhole) Row (Wrong Side):**

\*Work 2 sts in rib, yo, K2tog; repeat from \* once, rib to end.

### All Sizes

Continue in rib as established for 2 rows, ending with a Wrong Side row.

Bind off remaining sts in rib.

Keeping next (center) 15 (15, 17, 17, 17) sts on holder with Right Side facing, rejoin **A** and work across last 15 (17, 18, 18, 19) sts in pattern as established for right shoulder.

Work 1 Wrong Side row.

**Next Row:** Decrease 1 st at beginning of row (neck edge), in pattern to end—14 (16, 17, 17, 18) sts.

Work 1 Wrong Side row.

Repeat last 2 rows 6 (7, 7, 7, 8) times, ending with a Wrong Side row—8 (9, 10, 10, 10) sts.

Bind off remaining sts.

### Sleeves

With **C**, cast on 27 (29, 31, 31, 33) sts.

Work in 1x1 Rib for 4 (6, 6, 6, 8) rows.

Cut **C** and join **A**.

Change to St st and work 2 rows, ending with a Wrong Side row.

**Increase Row (Right Side):** K1, M1L, knit to last st, M1R, k1—29 (31, 33, 33, 35) sts.

Repeat increase row every 10 rows, 0 (0, 0, 1, 1) more time(s) and then every 12 rows 3 (4, 4, 4, 4) times—35 (39, 41, 43, 45) sts.

Work even until piece measures 8½ (10½, 12½, 13½, 14½)'' 21.5 [26.5, 32, 34.5, 37 cm], ending with a Wrong Side row.

### Shape Cap

Bind off 2 (3, 3, 4, 5) sts at the beginning of the next 2 rows—31 (33, 35, 35, 35) sts.

Decrease 1 st at each end of every Right Side row 2 (3, 3, 3, 3) times—27 (27, 29, 29, 29) sts.

Decrease 1 st at each end of every row 11 (7, 7, 5, 4) times—5 (13, 15, 19, 23) sts.

Decrease 1 st at each end of every Right Side row 0 (2, 2, 4, 5) time(s)—5 (9, 11, 11, 13) sts.

Bind off remaining sts.

Sew right shoulder seam.

### Neck Edging

With Right Side facing and **B**, starting at corner edge of buttonhole band, pick up and knit 5 (5, 5, 5, 7) sts along side edge of band, 13 (15, 16, 17, 17) sts down front left neck, 15 (15, 17, 17, 17) sts from front neck holder, 13 (15, 16, 17, 17) sts up right front neck, 4 (5, 5, 5, 6) sts down right back neck, 24 (26, 26, 26, 26) sts from back neck holder, 4 (5, 5, 5, 6) sts up back left neck and 5 (5, 5, 5, 7) sts along side edge of button band—83 (91, 95, 97, 103) sts.

Continued...



Please Note: Print this pattern using Landscape Orientation.

Find more ideas & inspiration: [redheart.com](http://redheart.com)

©2015 Coats & Clark

RedHeart.com

Page 2 of 3

Starting with a Wrong Side row, work 1x1 rib for 2 (2, 2, 2, 4) rows.

**Buttonhole Row (Wrong Side):** Work in rib as established until 4 sts remain, k2tog, yo, k1, p1.

Continue in rib for 2 more rows.

Bind off in rib.

## FINISHING

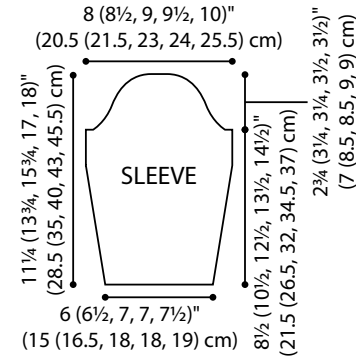
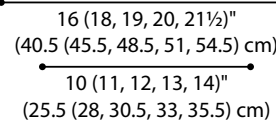
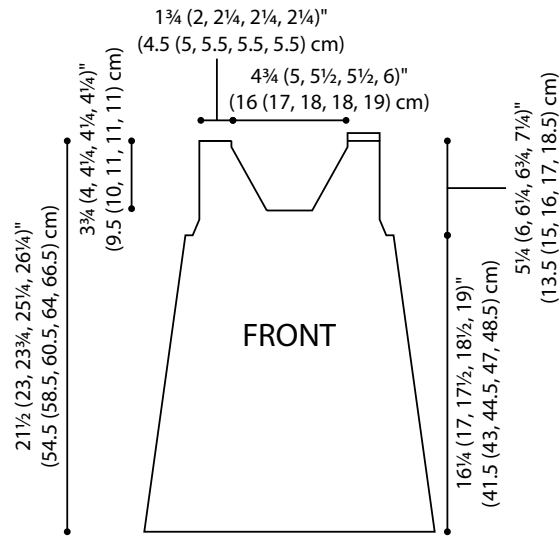
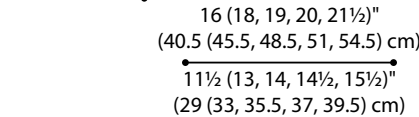
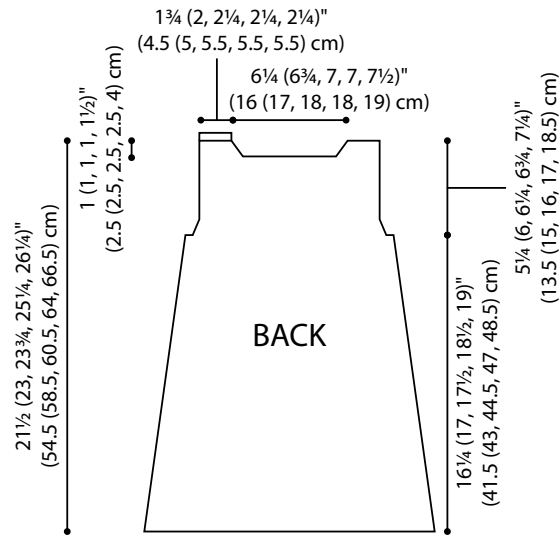
Sew sleeves into armholes, lapping buttonhole band over button band.

Sew underarm seam and side seams.

Sew buttons onto button band opposite buttonholes. Weave in all ends. Lightly block

## ABBREVIATIONS

**K** = knit; **k2tog** = Knit the next two stitches together; **mm** = millimeters; **P** = purl; **st(s)** = stitch (es); **St st** = Stockinette stitch; \* = repeat whatever follows the \* as indicated; [ ] = work directions in brackets the number of times specified.



Please Note: Print this pattern using Landscape Orientation.

Find more ideas & inspiration: [redheart.com](http://redheart.com)

©2015 Coats & Clark